

PRODUCT DESCRIPTION AND APPLICATION

With the Remote ICC you can operate and check the actual status of the Mass Combi remotely. A remote connection cable (6m) is included with the delivery.

SAFETY REGULATIONS AND MEASURES

- Install the Remote ICC according to the stated instructions.
- Only allow changes in your electrical system to be carried out by qualified electricians.
- Connections and safety features must be executed according to the locally applicable regulations.
- Do not work on the Mass Combi and/or the electrical installation if it is still connected to the external AC or DC.

INSTALLATION

(see also the user's manual of the Mass Combi)

1. Switch off the Mass Combi and disconnect the external AC power. Then remove the DC fuses.
2. Make a cut out using the outline drawings of Figure 1.
3. Open the connection compartment of the Mass Combi. Refer to the user's manual of the Mass Combi.
4. Connect the communication cable between the REMOTE connection of the Mass Combi and the Remote ICC (Figure 2).
5. Close the connection compartment of the Mass Combi.

GUARANTEE TERMS

Mastervolt guarantees that the Remote ICC has been built according to the legally applicable standards and stipulations. If you fail to act in accordance with the regulations, instructions and stipulations of this user's manual, damage can occur and/or the unit will not fulfill the specifications. This may mean that the guarantee will become null and void.

The standard period is 2 years.

LIABILITY

Mastervolt cannot be held liable for:

- Consequential damage resulting from the use of the Remote ICC.
- Possible errors in the included manual and the consequences of these.
- Use that is inconsistent with the purpose of the product.

DIMENSIONS

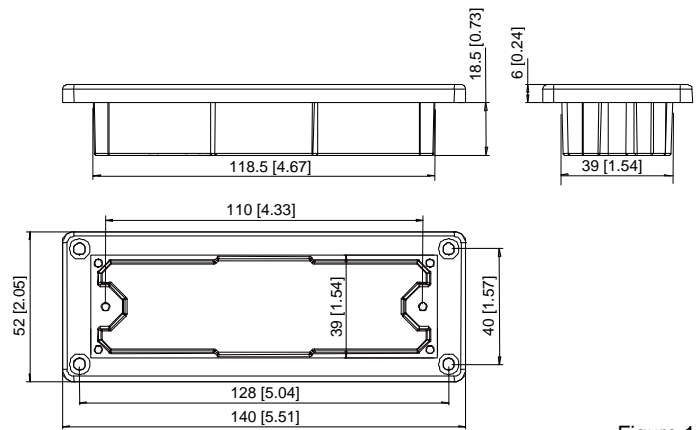


Figure 1
Dimensions in mm [inch]

CONNECTION

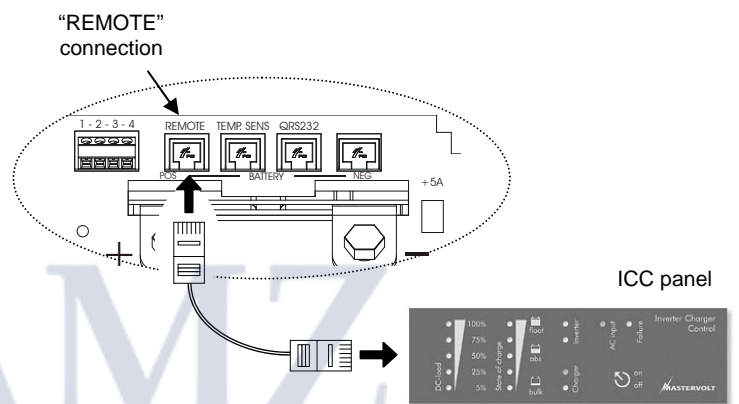


Figure 2

OPERATION

DC load

Charger mode: Displays the DC charge current as a percentage of the maximum current

Inverter mode: Displays the AC power as a percentage of the maximum power

State of Charge

Charger mode: Displays the state of charge, bulk, absorption or float

Inverter mode: Displays the approximate battery voltage

Inverter LED

Green: the Mass Combi is operating in inverter mode

Red: an error is detected

Failure LED:

When illuminated red, a failure is detected. The cause of failure is explained in the user manual of the Mass Combi.

AC Input

Illuminated: incoming AC power is available and within specifications

Fast blinking: incoming AC power is available, but quality is insufficient

Charger LED

Green: the Mass Combi is operating in charger mode

Red: an error is detected

On/Off switch. Notes:

- This switch will not operate if the main switch on the Mass Combi is set to Off.
- The Mass Combi is not entirely off when the Mass Combi is switched off via the Remote ICC. The no-load drain is less than 5mA and is used to keep the data buses connected to the remote panel active

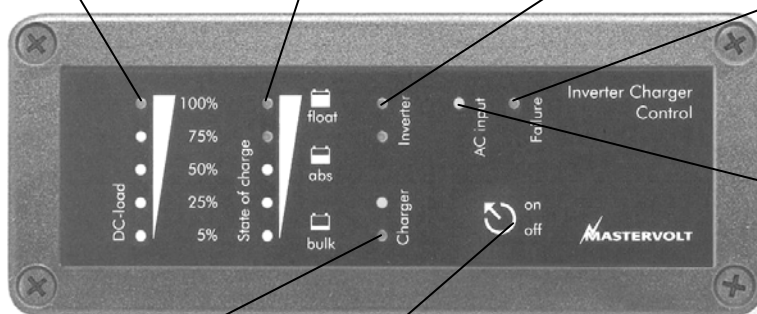


Figure 3